

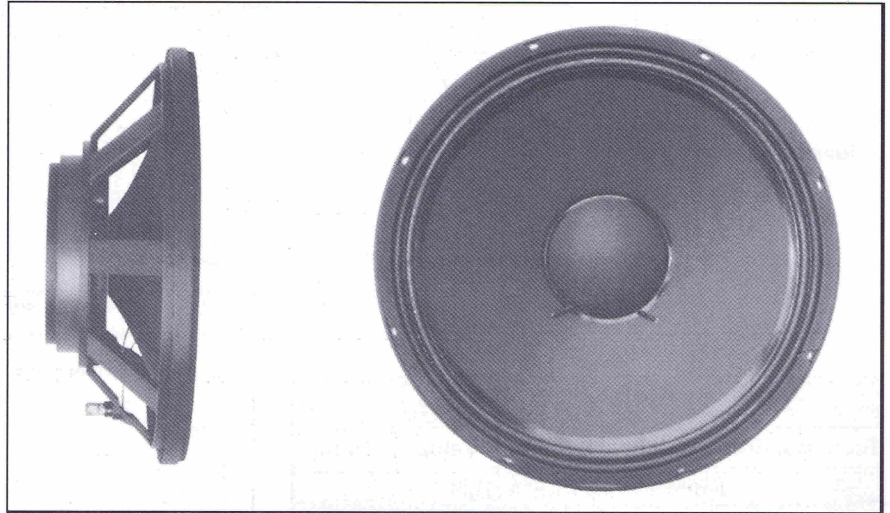
15" - PAPER CONE DRIVER - 380 mm

4 Ω

CAR LINE

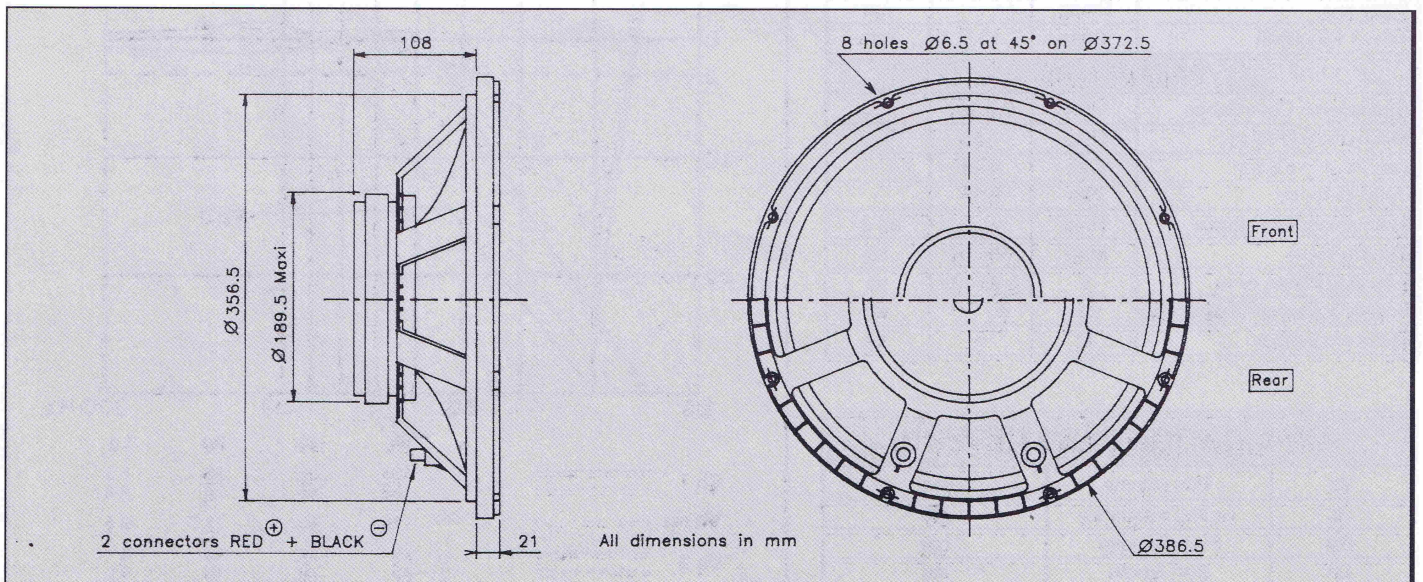
Automotive application - 98 dB
 High power - 150 W
 Coated textile suspension
 Ultra stiff die cast chassis
 Heat sink design - Vented pole piece
 Kapton voice coil former (70 mm Ø)
 Flat copper wire
 Gold plated binding posts

Application automobile - 98 dB
 Forte puissance - 150 W
 Suspension toile traitée
 Châssis moulé ultra-rigide
 Ailettes de refroidissement - Noyau ventilé
 Bobine sur support Kapton (Ø 70 mm)
 Fil cuivre plat sur chant
 Bornes plaquées or

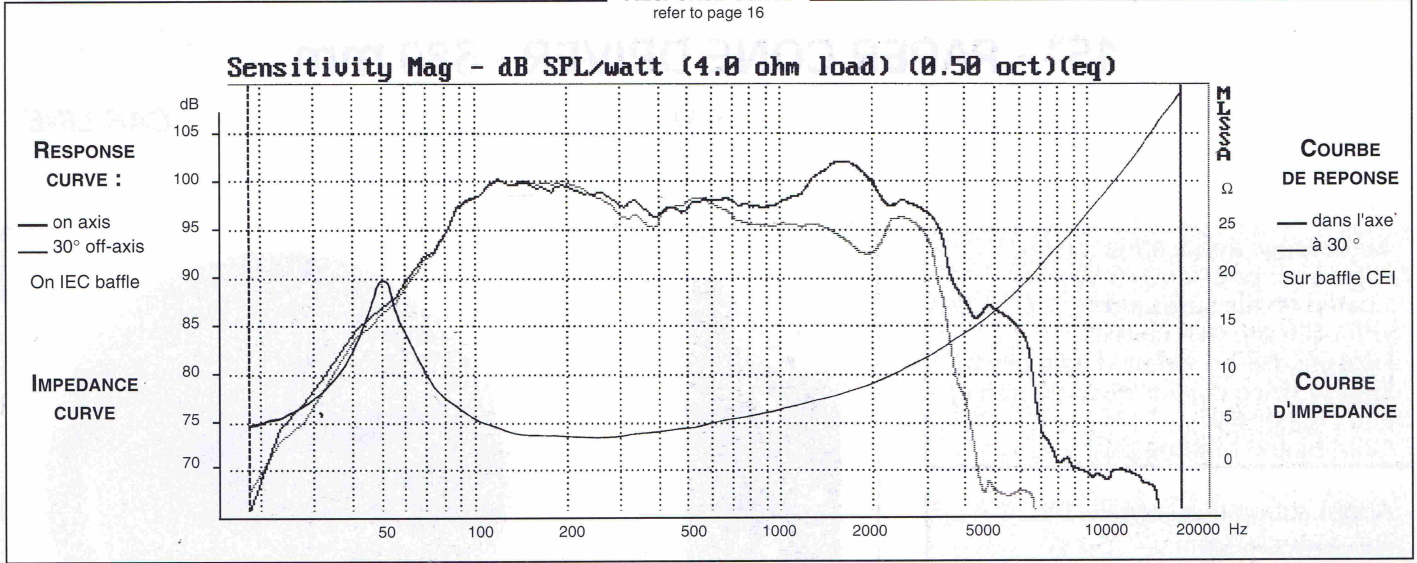


High power (150 W IEC, 300 W MUSIC), High efficiency (98 dB) and 4 Ohms impedance make this 15" woofer especially well suited for high end automotive systems. The large diameter magnet (7") has a vented pole piece and is heatsinked to the Zamak chassis to maximize heat dissipation. The flat copper wire voice coil is wound onto a fiberglass reinforced Kapton former for exceptional power handling. Gold plated binding posts fitted onto the Ultra stiff die cast chassis are designed to accept large diameter cables. The "suggested applications" charts indicate various driver loads. The response curves shown on the diagram indicate the predicted low end response of the driver in the suggested box volume (Vb) with suggested port (Dp-Lp).

Ce haut-parleur grave de 380 mm à haut rendement (98 dB) et forte tenue en puissance (150 W - 300 W MUSIQUE) est particulièrement destiné à des systèmes automobiles haut de gamme multivoies (4 Ω). Le châssis ultra rigide à ailettes de refroidissement et le noyau ventilé permettent une dissipation optimale de la chaleur. La structure magnétique largement dimensionnée (Ø 180 mm) est équipée d'une bobine de 70 mm sur support Kapton renforcé fibre de verre en fil de cuivre plat sur chant. Les borniers plaqués or permettent l'utilisation de câbles de forte section. Le tableau "Suggested applications" indique différents types de charge. Les courbes publiées correspondent à la réponse dans le grave pour un volume (Vb) et une dimension d'évent donnée (Dp-Lp).

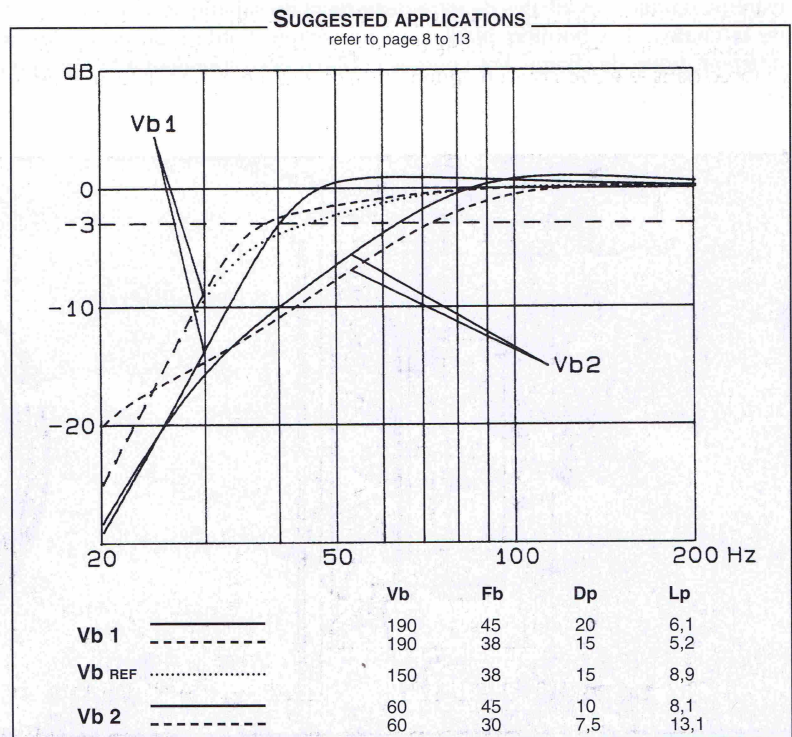
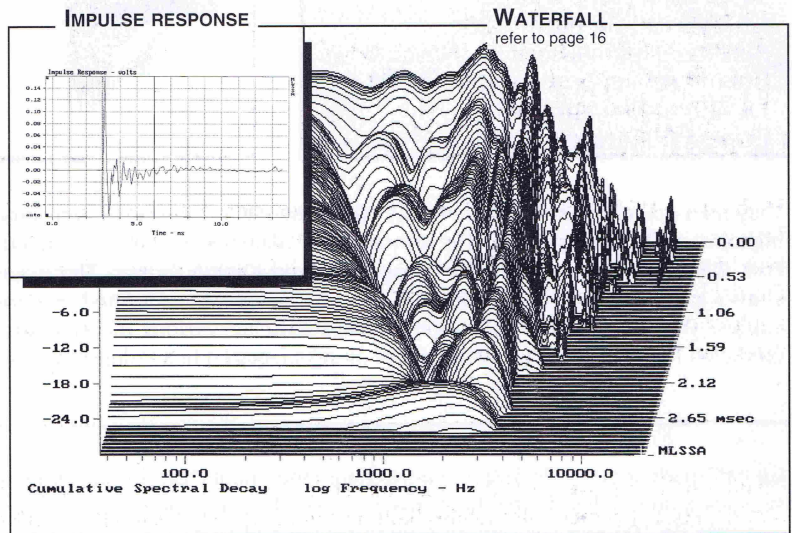


RESPONSE CURVE
refer to page 16



SPECIFICATIONS			
Technical Characteristics	Symbol	Value	Units
PRIMARY APPLICATION			
Nominal Impedance	Z	4	Ω
Resonance Frequency	Fs	52	Hz
Nominal Power Handling	P	150	W
Sensitivity	E	98	dB
VOICE COIL			
Voice coil diameter	\varnothing	70	mm
Minimum Impedance	Zmin	3,6	Ω
DC Resistance	Re	3,1	Ω
Voice Coil Inductance	Lbm	0,45	mH
Voice coil Length	h	14,6	mm
Former	-	Kapton	-
Number of layers	n	1	-
MAGNET			
Magnet dimensions	\varnothing x h	184 X 20	mm
Magnet weight	m	1,91	kg
Flux density	B	1,2	T
Force factor	BL	13,5	NA ⁻¹
Height of magnetic gap	He	7	mm
Stray flux	Fmag	-	Am ⁻¹
Linear excursion	Xmax	$\pm 3,8$	mm
PARAMETERS			
Suspension Compliance	Cms	$0,08 \cdot 10^{-3}$	mN ⁻¹
Mechanical Q Factor	Qms	3,62	-
Electrical Q Factor	Qes	0,61	-
Total Q Factor	Qts	0,52	-
Mechanical Resistance	Rms	10,3	kg s ⁻¹
Moving Mass	Mms	$115 \cdot 10^{-3}$	kg
Effective Piston Area	S	$8,92 \cdot 10^{-2}$	m ²
Volume Equivalent of Air at Cas	Vas	$92 \cdot 10^{-3}$	m ³
Mass of speaker	M	7,8	kg

APPLICATION PARAMETERS		
Vb	Box volume	dm ³
Fb	Tuning frequency	Hz
Dp	Port diameter	cm
Lp	Port length	cm



Please refer to method of measurement and measurement conditions pages 15 to 19.
Audax may, without prior notification modify the specifications on its products further to research and development requirements.